



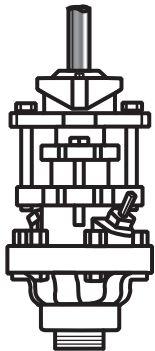
**800-966-1265**

\* These instructions are applicable for use in the installation of the following stuffing boxes:

**HUBER  
HERCULES  
OR SKINNER**



Gasket

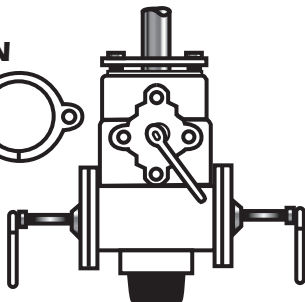


Stuffing Box

**SKINNER  
CROSS TWIN**



Gaskets

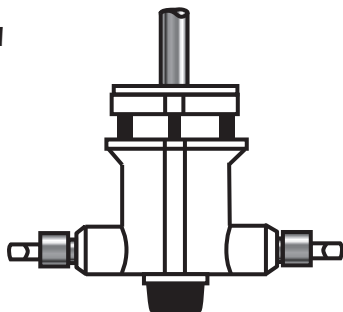


Stuffing Box

**RATIGAN**



Gasket



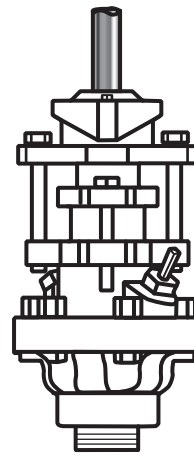
Stuffing Box

# INSTALLATION INSTRUCTIONS FOR *The Trapper™ Topper*

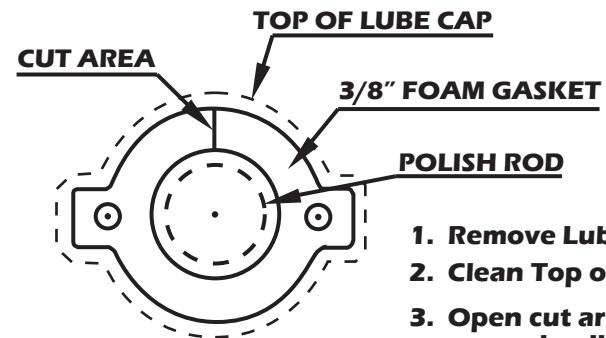
*The Trapper™ Topper* is not a pressurized vessel - All units should be grounded.

\*Height of Trapper Topper is 15" ABOVE Stuffing Box Lube Cap

## STEP 1

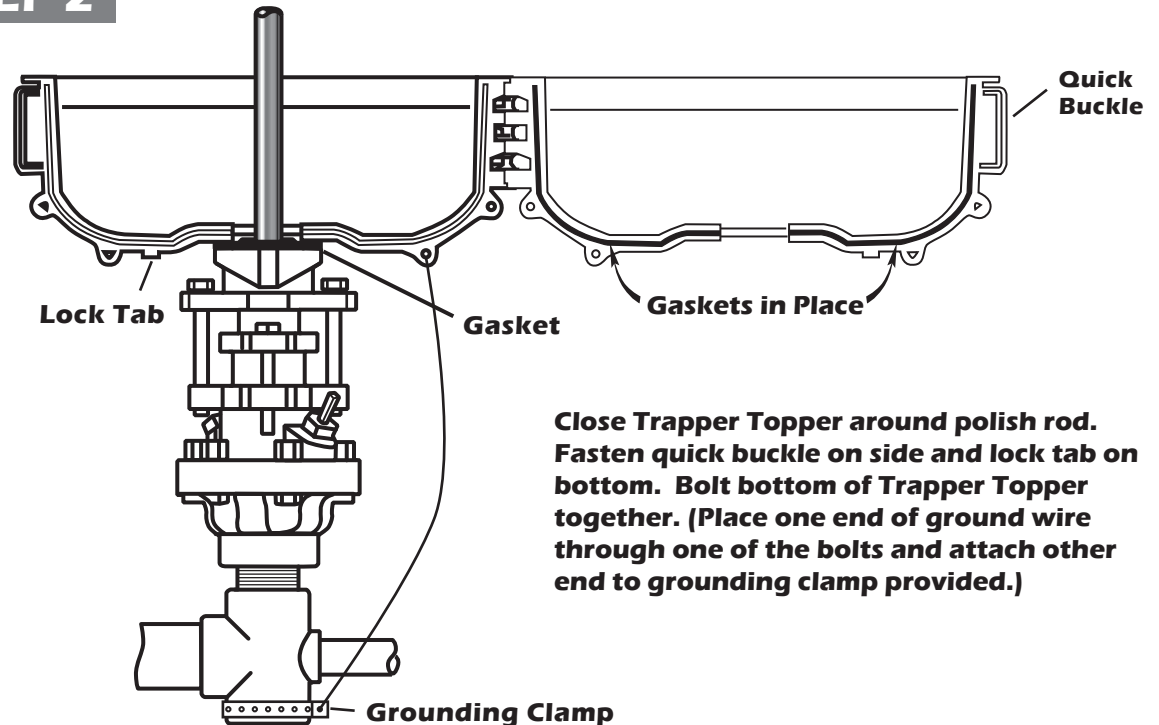


**HUBER HERCULES/SKINNER  
STUFFING BOX**



1. Remove Lube Cap Bolts
2. Clean Top of Lube Cap
3. Open cut area to place gasket around polish rod.
4. Peel paper off cut area to stick cut ends together to make a solid gasket.
5. Place gasket, sticky side down, on top of lube cap.

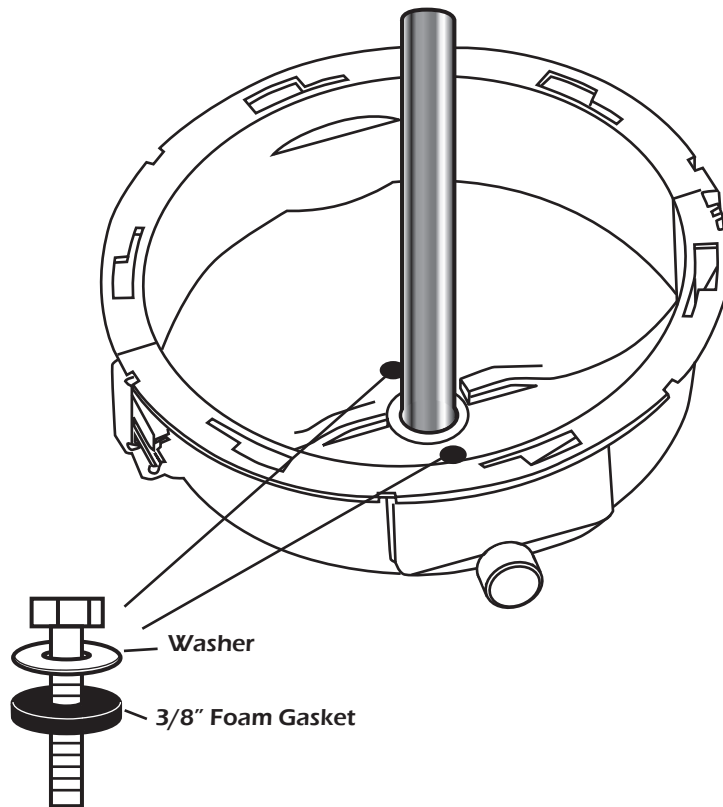
## STEP 2



Close Trapper Topper around polish rod. Fasten quick buckle on side and lock tab on bottom. Bolt bottom of Trapper Topper together. (Place one end of ground wire through one of the bolts and attach other end to grounding clamp provided.)

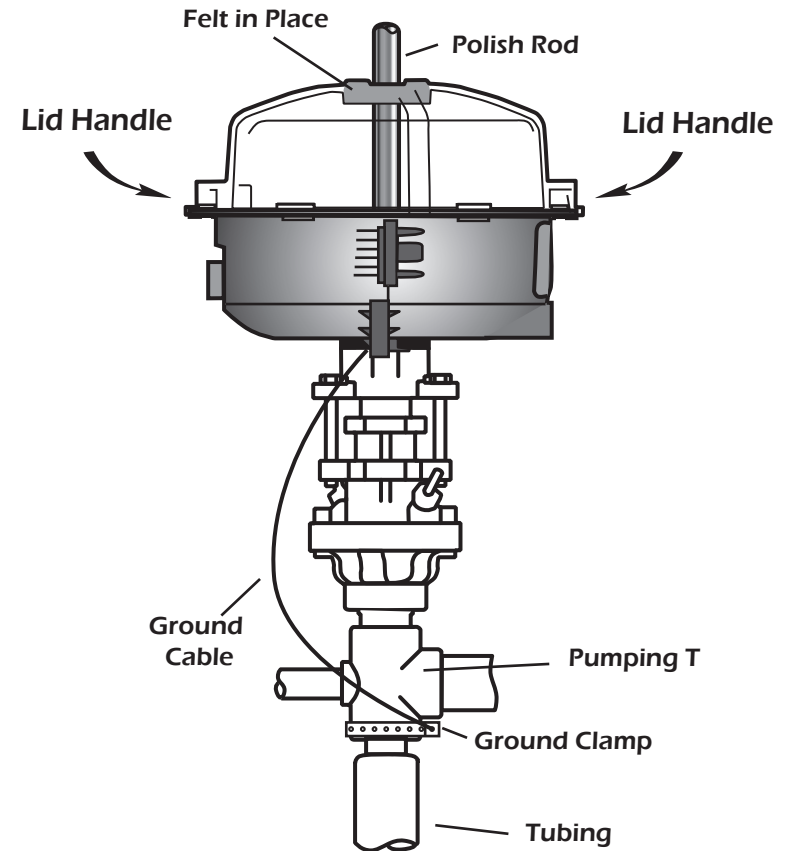
### STEP 3

#### INSIDE VIEW "TRAPPER TOPPER UNIT"



**Use enclosed bolts, washers and gaskets and bolt Trapper through installed gasket and lube cap to stuffing box.**

### STEP 4

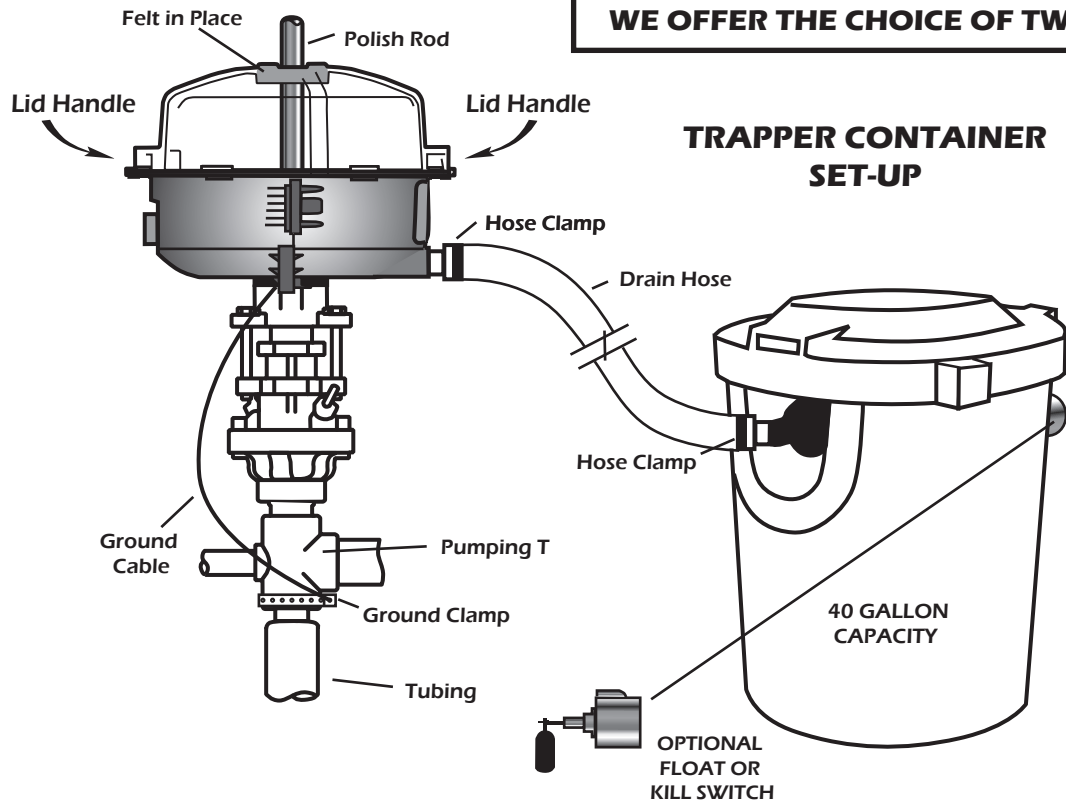


**To install Clear Trapper lid: place center hole of both halves with felt material in place over polish rod at a 45 degree angle to join top tabs together. Bring connected lid down over base holes and turn clockwise. Lid can attach to base in 6 different positions. To remove lid turn counter clockwise and lift up.**



800-966-1265

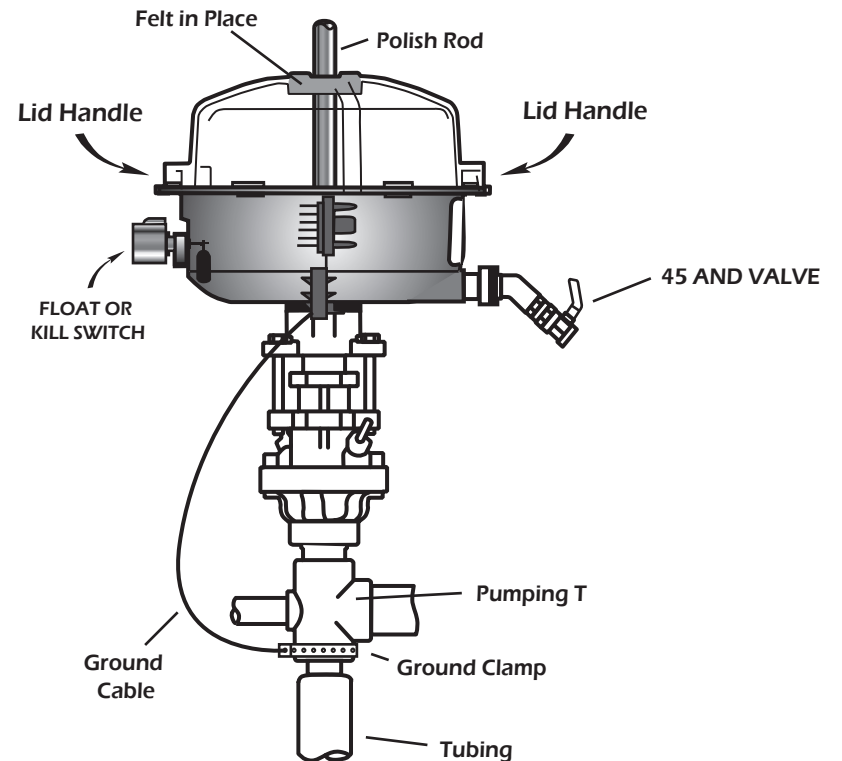
**STEP 5A**



**WE OFFER THE CHOICE OF TWO CONFIGURATIONS**

**STEP 5B**

**KILL SWITCH AND VALVE SET-UP**



**Attach 1 1/2" hose and hose clamps (available through supply store) to Trapper drain hole and Trapper container (using hose barbs provided). Set container in convenient place near stuffing box and strap to something near well or partially bury. If using optional float switch, the switch must be installed by a licensed / certified electrician in accordance with all local codes.**

**Attach float switch to side of Trapper. The float switch must be installed by a licensed / certified electrician in accordance with local codes. To the drain side: attach valve assembly.**

**\* Disclaimer- It is the responsibility of the operator to insure that float switch specifications are met & regular testing is performed.**